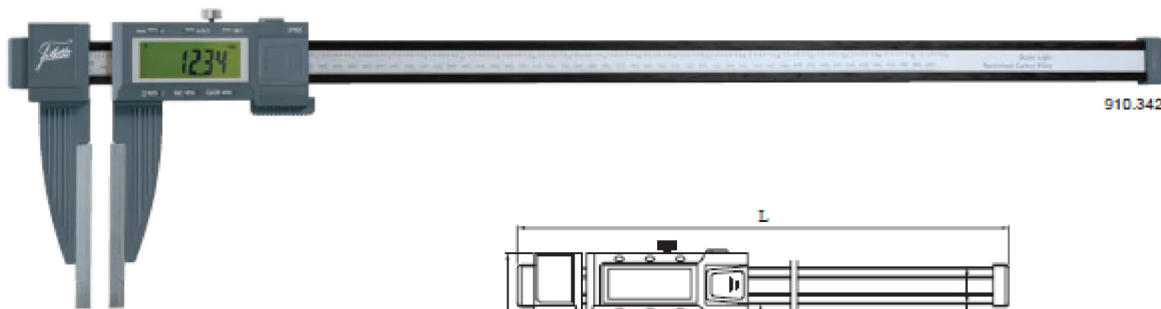


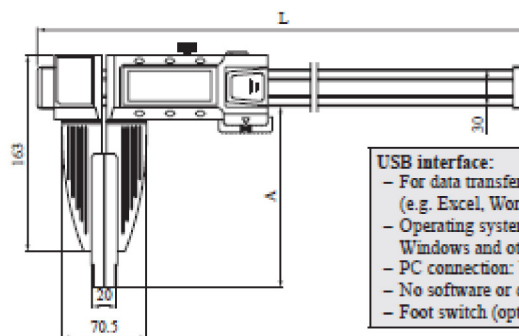
## Digital carbon workshop calipers IP65

Workshop calipers with large measuring jaws, Bluetooth, and an ultra lightweight carbon fiber construction that saves up to 65% of the total weight compared to a steel workshop caliper.

- Measuring range: 0 - 2000 mm.
- Resolution: 0.01 mm.
- mm/inch conversion.
- ABS/INC switchable.
- Digimatic data output.
- Bluetooth data output.
- On/off switch.
- Reset/preset.
- Hold function.
- Fine adjustment by means of carriage for constant measuring force between 5 - 10 N.
- Carbon jaws with steel measuring faces.
- Rounded jaw ends for internal measurements.
- Locking screw.
- Protection: IP65.
- Delivered in a wooden case with a manufacturer measuring report.
- Power supply: 1 battery type CR2032.



910.342



**USB interface:**  
 - For data transfer to PC (e.g. Excel, Word).  
 - Operating system: Windows and other.  
 - PC connection: USB.  
 - No software or driver to install.  
 - Foot switch (optional).

| Item No. | Measuring range/mm | Accuracy mm | Jaw length A/mm | Weight kg | Length L/mm |
|----------|--------------------|-------------|-----------------|-----------|-------------|
| 910.342  | 0 - 600            | ±0.06       | 150             | 1.3       | 826         |
| 910.343  | 0 - 600            | ±0.08       | 200             | 1.4       | 826         |
| 910.344  | 0 - 600            | ±0.12       | 300             | 1.5       | 826         |
| 910.345  | 0-1000             | ±0.08       | 150             | 1.5       | 1226        |
| 910.346  | 0-1000             | ±0.12       | 200             | 1.6       | 1226        |
| 910.347  | 0-1000             | ±0.16       | 300             | 1.7       | 1226        |
| 910.348  | 0-1000             | ±0.25       | 500             | 1.9       | 1226        |
| 910.349  | 0-1500             | ±0.16       | 200             | 2.0       | 1736        |
| 910.350  | 0-1500             | ±0.21       | 300             | 2.1       | 1736        |
| 910.351  | 0-1500             | ±0.36       | 500             | 2.3       | 1736        |
| 910.352  | 0-2000             | ±0.21       | 200             | 2.6       | 2246        |
| 910.353  | 0-2000             | ±0.25       | 300             | 2.7       | 2246        |
| 910.354  | 0-2000             | ±0.42       | 500             | 2.9       | 2246        |

**Options:**  
 495.157 Spare battery  
 909.686 USB interface  
 909.687 Footswitch for USB interface  
 910.038 Wireless USB receiver  
 910.039 Wireless transmitter